

## Features



- All Copper Windings
- All designs rated 50 / 60 Hertz
- Primary fuse blocks and secondary fuse holders available



## Suffix -052

Primary 120 x 240 - Secondary 24									Primary Max Amps	Secondary Max Amps
VA	Catalog Number	Weight lbs	Dimensions (Inches/mm)			Mounting Dimensions (Inches/mm)				
			Height A	Width B	Depth C	D	E	F	120/240 V	24 V
50	50-0050-052	3	2.50/64	3.00/76	3.00/76	2.00/51	2.50/64	.203x.375 (5.2 x 9.5)	.42/21	2.08
75	50-0075-052	3	2.50/64	3.00/76	3.38/86	2.50/64	2.50/64	.203x.375 (5.2 x 9.5)	.63/.31	3.13
100	50-0100-052	4	2.81/71	3.38/86	3.38/86	2.38/60	2.81/71	.203x.375 (5.2 x 9.5)	.83/.42	4.17
150	50-0150-052	6	3.13/80	3.75/95	3.90/99	2.63/67	3.13/80	.203x.375 (5.2 x 9.5)	1.25/.63	6.25
200	50-0200-052	8	3.75/95	4.50/114	4.12/105	2.50/64	3.75/95	.203x.375 (5.2 x 9.5)	1.67/.83	8.33
250	50-0250-052	9	3.75/95	4.50/114	4.25/108	2.75/70	3.75/95	.203x.375 (5.2 x 9.5)	2.08/1.04	10.42
300	50-0300-052	11	3.75/95	4.50/114	4.75/121	3.13/80	3.75/95	.203x.375 (5.2 x 9.5)	2.50/1.25	12.50
375	50-0375-052	12	3.75/95	4.50/114	5.25/133	3.63/92	3.75/95	.203x.375 (5.2 x 9.5)	3.13/1.56	15.63
500	50-0500-052	17	4.38/111	5.25/133	5.88/149	3.63/92	4.38/111	.281x562 (7.1 x 14.3)	4.17/2.08	20.83
750	50-0750-052	25	4.38/111	5.25/133	7.50/191	5.25/133	4.38/111	.281x562 (7.1 x 14.3)	6.25/3.13	31.25
1000	50-1000-052	26	4.38/111	5.25/133	7.50/191	5.25/133	4.38/111	.281x562 (7.1 x 14.3)	8.33/4.17	41.67

## Suffix -053

Primary 240 x 480, 230 x 460, 220 x 440 - Secondary 120, 115, 110 - Triple Rated									Primary Max Amps	Secondary Max Amps
VA	Catalog Number	Weight lbs	Dimensions (Inches/mm)			Mounting Dimensions (Inches/mm)				
			Height A	Width B	Depth C	D	E	F	240/480 V	120 V
50	50-0050-053	3	2.50/64	3.00/76	3.00/76	2.00/51	2.50/64	.203x.375 (5.2 x 9.5)	.21/.10	.42
75	50-0075-053	3	2.50/64	3.00/76	3.38/86	2.50/64	2.50/64	.203x.375 (5.2 x 9.5)	.31/.16	.63
100	50-0100-053	4	2.81/71	3.38/86	3.38/86	2.38/60	2.81/71	.203x.375 (5.2 x 9.5)	.42/.21	.83
150	50-0150-053	6	3.13/80	3.75/95	3.90/99	2.63/67	3.13/80	.203x.375 (5.2 x 9.5)	.63/.31	1.25
200	50-0200-053	8	3.75/95	4.50/114	4.12/105	2.50/64	3.75/95	.203x.375 (5.2 x 9.5)	.83/.42	1.67
250	50-0250-053	9	3.75/95	4.50/114	4.25/108	2.75/70	3.75/95	.203x.375 (5.2 x 9.5)	1.04/.52	2.08
300	50-0300-053	11	3.75/95	4.50/114	4.75/121	3.13/80	3.75/95	.203x.375 (5.2 x 9.5)	1.25/.63	2.50
375	50-0375-053	12	3.75/95	4.50/114	5.25/133	3.63/92	3.75/95	.203x.375 (5.2 x 9.5)	1.56/.78	3.13
500	50-0500-053	17	4.38/111	5.25/133	5.88/149	3.63/92	4.38/111	.281x562 (7.1 x 14.3)	2.08/1.04	4.17
750	50-0750-053	25	4.38/111	5.25/133	7.50/191	5.25/133	4.38/111	.281x562 (7.1 x 14.3)	3.13/1.56	6.25
1000	50-1000-053	26	4.38/111	5.25/133	7.50/191	5.25/133	4.38/111	.281x562 (7.1 x 14.3)	4.17/2.08	8.33
1500	50-1500-053	32	5.62/143	6.38/162	7.00/178	4.50/114	5.31/135	.312x.625 (7.9 x 15.9)	6.25/3.13	12.50
2000	50-2000-053	38	5.62/143	6.38/162	7.62/194	5.00/127	5.31/135	.312x.625 (7.9 x 15.9)	8.33/4.17	16.67
3000	50-3000-053	50	6.62/168	7.50/191	7.75/197	4.75/121	6.75/171	.312x.625 (7.9 x 15.9)	12.50/6.25	25.00
5000	50-5000-053	70	6.62/168	7.5/191	10.25/	6.88/	6.75/171	.312x.625 (7.9 x 15.9)	20.83/10.42	41.67

Dimensions and weights may change. Consult factory for Certified Drawings.

## Suffix -054

Primary 208 - Secondary 120									Primary Max Amps	Secondary Max Amps
VA	Catalog Number	Weight lbs	Dimensions (Inches/mm)			Mounting Dimensions (Inches/mm)				
			Height A	Width B	Depth C	D	E	F	208 V	120 V
50	50-0050-054	3	2.50/64	3.00/76	3.00/76	2.00/51	2.50/64	.203x.375 (5.2 x 9.5)	.24	.42
75	50-0075-054	3	2.50/64	3.00/76	3.38/86	2.50/64	2.50/64	.203x.375 (5.2 x 9.5)	.36	.63
100	50-0100-054	4	2.81/71	3.38/86	3.38/86	2.38/60	2.81/71	.203x.375 (5.2 x 9.5)	.48	.83
150	50-0150-054	6	3.13/80	3.75/95	3.90/99	2.63/67	3.13/80	.203x.375 (5.2 x 9.5)	.72	1.25
200	50-0200-054	8	3.75/95	4.50/114	4.12/105	2.50/64	3.75/95	.203x.375 (5.2 x 9.5)	.96	1.67
250	50-0250-054	9	3.75/95	4.50/114	4.25/108	2.75/70	3.75/95	.203x.375 (5.2 x 9.5)	1.20	2.08
300	50-0300-054	11	3.75/95	4.50/114	4.75/121	3.13/80	3.75/95	.203x.375 (5.2 x 9.5)	1.44	2.50
375	50-0375-054	12	3.75/95	4.50/114	5.25/133	3.63/92	3.75/95	.203x.375 (5.2 x 9.5)	1.80	3.13
500	50-0500-054	17	4.38/111	5.25/133	5.88/149	3.63/92	4.38/111	.281x562 (7.1 x 14.3)	2.40	4.17
750	50-0750-054	25	4.38/111	5.25/133	7.50/191	5.25/133	4.38/111	.281x562 (7.1 x 14.3)	3.61	6.25
1000	50-1000-054	26	4.38/111	5.25/133	7.50/191	5.25/133	4.38/111	.281x562 (7.1 x 14.3)	4.81	8.33
1500	50-1500-054	32	5.62/143	6.38/162	7.00/178	4.50/114	5.31/135	.312x.625 (7.9 x 15.9)	7.21	12.50
2000	50-2000-054	38	5.62/143	6.38/162	7.62/194	5.00/127	5.31/135	.312x.625 (7.9 x 15.9)	9.62	16.67
3000	50-3000-054	50	6.62/168	7.50/191	7.75/197	4.75/121	6.75/171	.312x.625 (7.9 x 15.9)	14.42	25.00

## Suffix -056

Primary 600/575/550 - Secondary 120/115/110 Triple Rated									Primary Max Amps	Secondary Max Amps
VA	Catalog Number	Weight lbs	Dimensions (Inches/mm)			Mounting Dimensions (Inches/mm)				
			Height A	Width B	Depth C	D	E	F	600 V	120 V
50	50-0050-056	3	2.50/64	3.00/76	3.00/76	2.00/51	2.50/64	.203x.375 (5.2 x 9.5)	.08	.42
75	50-0075-056	3	2.50/64	3.00/76	3.38/86	2.50/64	2.50/64	.203x.375 (5.2 x 9.5)	.13	.63
100	50-0100-056	4	2.81/71	3.38/86	3.38/86	2.38/60	2.81/71	.203x.375 (5.2 x 9.5)	.17	.83
150	50-0150-056	6	3.13/80	3.75/95	3.90/99	2.63/67	3.13/80	.203x.375 (5.2 x 9.5)	.25	1.25
200	50-0200-056	8	3.75/95	4.50/114	4.12/105	2.50/64	3.75/95	.203x.375 (5.2 x 9.5)	.33	1.67
250	50-0250-056	9	3.75/95	4.50/114	4.25/108	2.75/70	3.75/95	.203x.375 (5.2 x 9.5)	.42	2.08
300	50-0300-056	11	3.75/95	4.50/114	4.75/121	3.13/80	3.75/95	.203x.375 (5.2 x 9.5)	.50	2.50
375	50-0375-056	12	3.75/95	4.50/114	5.25/133	3.63/92	3.75/95	.203x.375 (5.2 x 9.5)	.63	3.13
500	50-0500-056	17	4.38/111	5.25/133	5.88/149	3.63/92	4.38/111	.281x562 (7.1 x 14.3)	.83	4.17
750	50-0750-056	25	4.38/111	5.25/133	7.50/191	5.25/133	4.38/111	.281x562 (7.1 x 14.3)	1.25	6.25
1000	50-1000-056	26	4.38/111	5.25/133	7.50/191	5.25/133	4.38/111	.281x562 (7.1 x 14.3)	1.67	8.33
1500	50-1500-056	32	5.62/143	6.38/162	7.00/178	4.50/114	5.31/135	.312x.625 (7.9 x 15.9)	2.50	12.50
2000	50-2000-056	38	5.62/143	6.38/162	7.62/194	5.00/127	5.31/135	.312x.625 (7.9 x 15.9)	3.33	16.67
3000	50-3000-056	50	6.62/168	7.50/191	7.75/197	4.75/121	6.75/171	.312x.625 (7.9 x 15.9)	5.00	25.00

## Suffix -058

Primary 220/380/415 - Secondary 95/115									Primary Max Amps	Secondary Max Amps
VA	Catalog Number	Weight lbs	Dimensions (Inches/mm)			Mounting Dimensions (Inches/mm)				
			Height A	Width B	Depth C	D	E	F	220/380/415 V	95/115 V
250	50-0250-058	11	3.75/95	4.50/114	4.81/122	3.38/86	3.75/95	.203x.375 (5.2 x 9.5)	1.14/.66/.60	2.63/2.17
500	50-0500-058	22	4.38/111	5.25/133	6.63/168	4.60/117	4.38/111	.281x562 (7.1 x 14.3)	2.27/1.32/1.20	5.26/4.35
750	50-0750-058	23	4.25/108	5.75/146	7.38/187	4.38/111	4.94/125	.281x562 (7.1 x 14.3)	3.41/1.97/1.81	7.89/6.52
1000	50-1000-058	32	5.31/135	6.38/162	6.75/171	4.50/114	5.31/135	.312x.625 (7.9 x 15.9)	4.5/2.6/2.4	10.5/8.7
1500	50-1500-058	41	6.25/159	7.50/191	6.25/159	4.00/102	6.75/171	.312x.625 (7.9 x 15.9)	6.8/3.9/3.6	15.7/13.0
2000	50-2000-058	49	6.25/159	7.50/191	7.80/198	4.75/121	6.75/171	.312x.625 (7.9 x 15.9)	9.0/5.2/4.8	21.0/17.3
3000	50-3000-058	75	6.25/159	7.50/191	9.88/251	6.88/175	6.75/171	.312x.625 (7.9 x 15.9)	13.6/7.8/7.2	31.5/26.0
5000	50-5000-058	113	7.50/191	9.00/229	9.12/232	6.93/176	7.50/191	.437x.750 (11.1 x 19.1)	22.7/13.1/12.0	52.6/43.4

Dimensions and weights may change. Consult factory for Certified Drawings.

## Suffix -059

Primary - Secondary 208/500 - 85/100/110 220/380/440/550 - 91/110/120 230/400/460/575 - 95/115/125 240/416/480/600 - 99/120/130									Secondary Amps
VA	Catalog Number	Weight lbs	Dimensions (Inches/mm)			Mounting Dimensions (Inches/mm)			120 V
			Height A	Width B	Depth C	D	E	F	
150	50-0150-059	11	4.38/111	5.25/133	4.57/116	2.63/	4.38/111	.281x562 (7.1 x 14.3)	1.25
250	50-0150-059	15	4.38/111	5.25/133	5.25/133	3.38/86	4.38/111	.281x562 (7.1 x 14.3)	2.25
375	50-0375-059	18	4.25/108	5.75/146	6.25/159	3.44/	4.94/	.281x562 (7.1 x 14.3)	3.2
500	50-0500-059	22	4.25/108	5.75/146	6.68/	4.38/111	4.94/	.281x562 (7.1 x 14.3)	4.5
750	50-0750-059	32	5.31/135	6.38/162	6.75/170	4.50/114	5.31/135	.312x.625 (7.9 x 15.9)	6.25
1000	50-1000-059	35	5.31/135	6.38/162	7.25/	5.00/	5.31/135	.312x.625 (7.9 x 15.9)	9
1500	50-1500-059	53	6.25/159	7.50/191	8.63/	5.25/	6.75/171	.312x.625 (7.9 x 15.9)	15
2000	50-2000-059	60	6.25/159	7.50/191	8.75/	5.80/	6.75/171	.312x.625 (7.9 x 15.9)	20
3000	50-3000-059	74	6.25/159	7.50/191	10.25/	6.88/	6.75/171	.312x.625 (7.9 x 15.9)	25

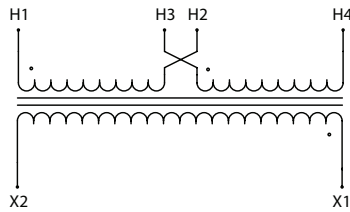
## Suffix -134

Primary 240 x 480, 230 x 460, 220 x 440 - Secondary 120/240, 115/230, 110/220 - Triple Rated									Primary Max Amps	Secondary Max Amps
VA	Catalog Number	Weight lbs	Dimensions (Inches/mm)			Mounting Dimensions (Inches/mm)			240/480 V	120/240 V
			Height A	Width B	Depth C	D	E	F		
50	50-0050-134	3	2.50/64	3.00/76	3.00/76	2.00/51	2.50/64	.203x.375 (5.2 x 9.5)	.21/.10	.42/21
75	50-0075-134	3	2.50/64	3.00/76	3.38/86	2.50/64	2.50/64	.203x.375 (5.2 x 9.5)	.31/.16	.63/.31
100	50-0100-134	4	2.81/71	3.38/86	3.38/86	2.38/60	2.81/71	.203x.375 (5.2 x 9.5)	.42/.21	.83/.42
150	50-0150-134	6	3.13/80	3.75/95	3.90/99	2.63/67	3.13/80	.203x.375 (5.2 x 9.5)	.63/.31	1.25/.63
200	50-0200-134	8	3.75/95	4.50/114	4.12/105	2.50/64	3.75/95	.203x.375 (5.2 x 9.5)	.83/.42	1.67/.83
250	50-0250-134	9	3.75/95	4.50/114	4.25/108	2.75/70	3.75/95	.203x.375 (5.2 x 9.5)	1.04/.52	2.08/1.04
300	50-0300-134	11	3.75/95	4.50/114	4.75/121	3.13/80	3.75/95	.203x.375 (5.2 x 9.5)	1.25/.63	2.50/1.25
375	50-0375-134	12	3.75/95	4.50/114	5.25/133	3.63/92	3.75/95	.203x.375 (5.2 x 9.5)	1.56/.78	3.13/1.56
500	50-0500-134	17	4.38/111	5.25/133	5.88/149	3.63/92	4.38/111	.281x562 (7.1 x 14.3)	2.08/1.04	4.17/2.08
750	50-0750-134	25	4.38/111	5.25/133	7.50/191	5.25/133	4.38/111	.281x562 (7.1 x 14.3)	3.13/1.56	6.25/3.13
1000	50-1000-134	26	4.38/111	5.25/133	7.50/191	5.25/133	4.38/111	.281x562 (7.1 x 14.3)	4.17/2.08	8.33/4.17
1500	50-1500-134	32	5.62/143	6.38/162	7.00/178	4.50/114	5.31/135	.312x.625 (7.9 x 15.9)	6.25/3.13	12.50/6.25
2000	50-2000-134	38	5.62/143	6.38/162	7.62/194	5.00/127	5.31/135	.312x.625 (7.9 x 15.9)	8.33/4.17	16.67/8.33
3000	50-3000-134	50	6.62/168	7.50/191	7.75/197	4.75/121	6.75/171	.312x.625 (7.9 x 15.9)	12.50/6.25	25.00/12.50

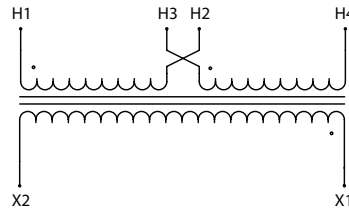
Dimensions and weights may change. Consult factory for Certified Drawings.

# 50 Series

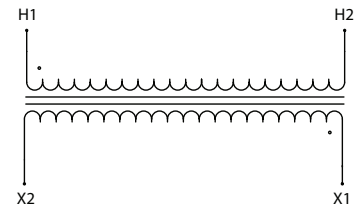
Suffix -052				
Primary			Secondary	
Voltage	Jumper	Connect Incoming Lines To	Voltage	Connect Load To
120	H1 to H3 & H2 to H4	H1 & H4	24	X1 & X2
240	H2 to H3	H1 & H4		



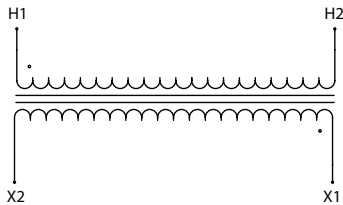
Suffix -053				
Primary			Secondary	
Voltage	Jumper	Connect Incoming Lines To	Voltage	Connect Load To
240	H1 to H3 & H2 to H4	H1 & H4	120	X1 & X2
230		H1 & H4	115	
220		H1 & H4	110	
480	H2 to H3	H1 & H4		
460		H1 & H4		
440		H1 & H4		



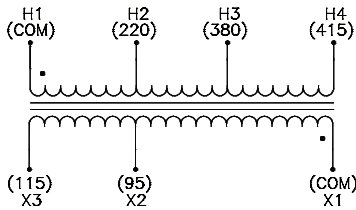
Suffix -054				
Primary			Secondary	
Voltage	Jumper	Connect Incoming Lines To	Voltage	Connect Load To
208	-	H1 & H2	120	X1 & X2



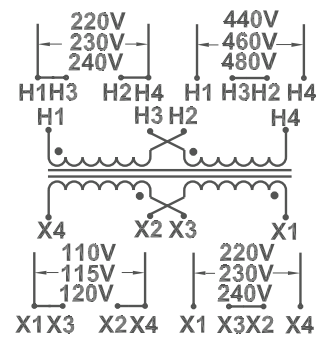
Suffix -056				
Primary			Secondary	
Voltage	Jumper	Connect Incoming Lines To	Voltage	Connect Load To
600	-	H1 & H2	120	X1 & X2
575			115	X1 & X2
550			110	X1 & X2



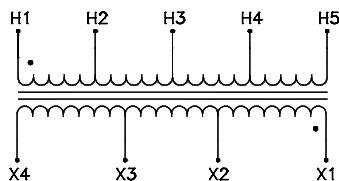
Suffix -058				
Primary			Secondary	
Voltage	Jumper	Connect Incoming Lines To	Voltage	Connect Load To
220	-	H1 & H2	95	X1 & X2
380	-	H1 & H3		
415	-	H1 & H4	115	X1 & X3



Suffix -134					
0.45			Secondary		
Voltage	Jumper	Connect Incoming Lines To	Voltage	Jumper	Connect Load To
240	H1 to H3 & H2 to H4	H1 & H4	120	X1 to X3 & X2 to X4	X1 & X4
230		H1 & H4	115		
220		H1 & H4	110		
480	H2 to H3	H1 & H4	120	X1 to X3 & X2 to X4	X1 & X4
460		H1 & H4	115		
440		H1 & H4	110		
240	H1 to H3 & H2 to H4	H1 & H4	240	X2 to X3	X1 & X4
230		H1 & H4	230		
220		H1 & H4	220		
480	H2 to H3	H1 & H4	240	X2 to X3	X1 & X4
460		H1 & H4	230		
440		H1 & H4	220		



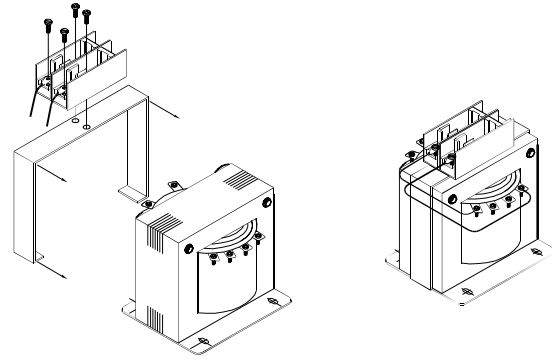
Suffix -059						
Primary				Secondary		
Connect Incoming Lines To H1 & H2	Connect Incoming Lines To H1 & H3	Connect Incoming Lines To H1 & H4	Connect Incoming Lines To H1 & H5	Connect Load To X1 & X2	Connect Load To X1 & X3	Connect Load To X1 & X4
208	-	-	500	85	100	110
220	380	440	550	91	110	120
230	400	460	575	95	115	125
240	416	480	600	99	120	130



## Series 50 Primary Fuse Kit BR-734

### Installation Procedure

- Loosen bolts holding transformer to the panel backplate.
- Slide the BR-734 bracket over the transformer.
- Connect the Fuse Holder leads to the transformer terminals with the Jumper Leads furnished.



Series 50 Recommended Fuse Type by Manufacturer			
Manufacturer	Bussman	Gould	Littlefuse
Primary Fuse Type	FNQ-R	ATQR / ATDR	KLDR / CCRM
Secondary Fuse Type Fuse Holder 265-B	FNM / FNQ (250V) (500V)	TRM / ATQ (250V) (500V)	FLM / FLQ (250V) (500V)

Secondary Fuse Type Fuse Holder GLF 1 1/4	MDQ (250V)	GDL (250V)	3AB (250V)
---	------------	------------	------------

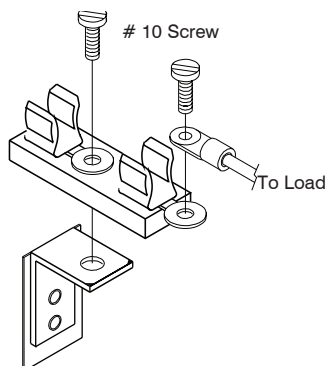
Note: Fuses sold separately.

Primary Fuse Holder Brackets for 50 Series							
Series VA	052	053	054	056	058	059	134
50	BR-734-1	BR-734-1	BR-734-1	BR-734-1			BR-734-1
75	BR-734-1	BR-734-1	BR-734-1	BR-734-1			BR-734-1
100	BR-734-2	BR-734-2	BR-734-2	BR-734-2			BR-734-2
150	BR-734-3	BR-734-3	BR-734-3	BR-734-3		BR-734-6	BR-734-3
200	BR-734-4	BR-734-4	BR-734-4	BR-734-4			BR-734-4
250	BR-734-4	BR-734-4	BR-734-4	BR-734-4	BR-734-4	BR-734-6	BR-734-4
300	BR-734-4	BR-734-4	BR-734-4	BR-734-4			BR-734-4
375	BR-734-4	BR-734-4	BR-734-4	BR-734-4		BR-734-5	BR-734-4
500	BR-734-6	BR-734-6	BR-734-6	BR-734-6	BR-734-6	BR-734-5	BR-734-6
750	BR-734-6	BR-734-6	BR-734-6	BR-734-6	BR-734-5	BR-734-7	BR-734-6
1000	BR-734-6	BR-734-6	BR-734-6	BR-734-6	BR-734-7	BR-734-7	BR-734-6
1500		BR-734-7	BR-734-7	BR-734-7	BR-734-8	BR-734-8	BR-734-7
2000		BR-734-7	BR-734-7	BR-734-7	BR-734-8	BR-734-8	BR-734-7
3000		BR-734-8	BR-734-8	BR-734-8	BR-734-8	BR-734-8	BR-734-8
5000		BR-734-8			BR-734-9		

## Series 50 Secondary Fuse Kits

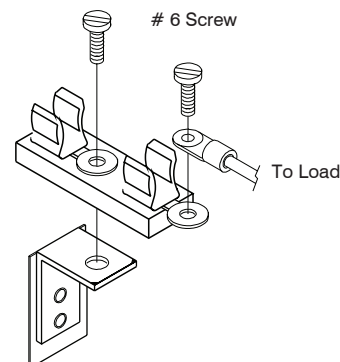
### Installation Procedure

- Remove the #10 screw in the transformer terminal to be fused.
- Fasten 265 B Fuse Holder to the transformer terminal with the longer #10 screw provided, as shown in the diagram.
- Connect the load lead to the terminal provided on the 265 B Fuse Holder



### Installation Procedure

- Remove the #6 screw in the transformer terminal to be fused.
- Fasten GLF 1 1/4 Fuse Holder to the transformer terminal with the longer #6 screw provided, as shown in the diagram.
- Connect the load lead to the terminal provided on the GLF 1 1/4 Fuse Holder



Note: Fuses sold separately.